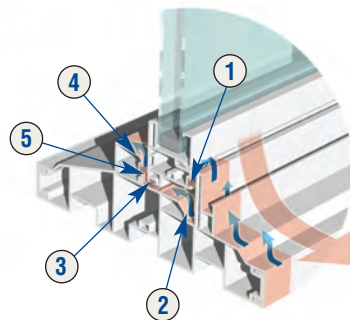


P-N-P HOPPER

Place-N-Pour vinyl basement window systems

The Place-N-Pour Hopper window can be installed in poured or block wall foundations and is ideal for both new construction and replacement applications. The P-N-P Hopper window delivers exceptional strength, high visibility and easy tilt operation for years of weather-tight performance.



The strength of the system is evident in its design.

Five barriers for protection from the elements and one "force of nature."

1. Full weatherstrip
2. Engineered internal water reservoir and water dam that is fully weeped to the exterior
3. Full weatherstrip
4. Engineered internal water dam
5. Full weatherstrip

Gravity... an uphill battle!

Each P-N-P window system incorporates an aggressive sloped sill and fully weeped, fusion-welded frame.

As a result of years of experience, modern technology, and an appreciation for the power of nature, our P-N-P window system is engineered for maximum quality, performance and comfort, and years of reliable service.

Available sizes:

(w) 31-7/8" x (h) 16", 20" & 24"

Available thickness:

7-1/2", 7-7/8", 9-1/2", 9-7/8", 11-1/2" & 11-7/8"

Features:

- Poured or block wall foundations
- New construction or replacement application
- Cam locking handle
- Available in Low-E, 3/4" insulated glass
- Full screen included
- AMMA certified vinyl lineals
- Fusion-welded frame and sash
- Fully weeped frame
- Aggressive 3-degree true-sloped sill
- Contoured exterior surface for added concrete adhesion
- Pivoting hinges for easy opening
- Full perimeter weatherstripping
- Patent-pending, double-duty nylon handles provide easy on-site product handling and simple placement into form
- Multi-chamber water channels return water to the outside
- Multi-lingual labeling designating top and outside
- Triple-duty wood reinforcements resist weight of pour and help protect product during construction and are also used as full-face nailers to secure installation
- Wrapped and packaged in protective film
- Backed by over 30 years of experience in the basement window industry
- Proudly made in the U.S.A.



P.O. Box 313, North Lima, Ohio 44452

ph: 330.549.2149

fx: 330.549.0316



Duo-Corp.



Product Features & Benefits

P-N-P Basement Hopper & Slider Window System:

- Off the Shelf, Ready to Pour Vinyl Window. No Additional Pouring Buck Necessary for Poured Wall Applications
- Fusion Welded, Maintenance Free, All Vinyl Frame and Sash Construction
- Chambered Profile for Strength, Rigidity and Increased Thermal Performance
- Contoured Exterior Surface for Added Concrete Adhesion
- Aggressive 3-degree True-sloped Sill for Water Drainage with Fully Weeped Frame
- Energy Efficient, Performance Low E Insulated Glass Standard on Both the PNP Hopper and PNP Slider
- Poured Wall, as well as, Block Applications for Both New Construction and Replacement
- Available Unit Sizes: (Tip to Tip Frame Size)
 - 31 7/8" x 16"
 - 31 7/8" x 20"
 - 31 7/8" x 24"
- Available Frame Thicknesses:
 - Nominal 8" (N8) = 7 1/2"
 - Full 8" (F8) = 7 7/8"
 - Nominal 10" (N10) = 9 1/2"
 - Full 10" (F10) = 9 7/8"
 - Nominal 12" (N12) = 11 1/2"
 - Full 12" (F12) = 11 7/8"
- Triple Duty Reinforcement, which Resists the Weight of the Pour, Provides Full-face Nailer to Secure Into Form and Protects the Sash and Screen During Construction
- Double Duty Nylon Handles for Onsite Product Handling and EZ Unit Placement for Top of Wall Pours Utilizing Readily Available 2 x 4 Lumber
- Fully Weather-stripped. Slider - 2X Sash Top, Sides & Bottom Hopper - 2X Sash Top & Sides, 3X Sash Bottom
- 3 Mil Blue Film Protects Both Sides of Every Unit
- Multilingual Labeling Designating TOP and OUTSIDE
- Proudly Made in the U.S.A. 